



forever series
product catalog





Into the Wild with David duChemin & The Levitate Forever Foot

levitate forever series

As a wildlife photographer and adventurer, David duChemin has spent decades pushing the limits of both his body and his gear, capturing the wild beauty of remote forests and rugged coastlines.

A devastating fall shattered both of his feet, forcing him to confront years of pain and limited mobility. After years of enduring pain and struggling with limited mobility, David faced a critical choice. He made the difficult but ultimately liberating decision to amputate his right foot, a turning point that marked the start of his journey with Levitate.

“Levitate has been with me almost since the beginning,” David says. “The other feet I tried were heavy and clunky. I needed something light, easy to move with, and durable enough for the places I go.”

Designed for people like David, the Forever Foot is crafted to be agile, durable, and responsive—whether you're navigating city streets, crossing uneven trails, or simply living an active lifestyle. It's built to match the spirit of those who refuse to be held back.

David emphasizes, “It's not just about comfort. It's about trust.” For him, the Forever Foot is more than just a prosthetic—it's a reliable partner that gives him the confidence to continue his adventures without compromise.

“The Forever Foot has never let me down,” David adds. “It's become a part of me, and I know it will support me no matter where my next journey takes me.”



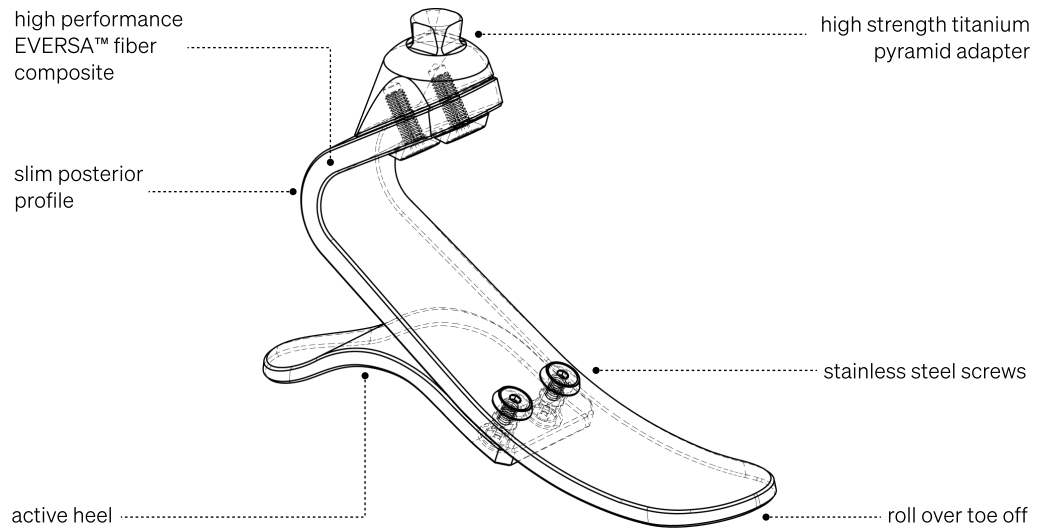
Introducing the Levitate Forever Series: Your gateway to enhanced mobility

overview

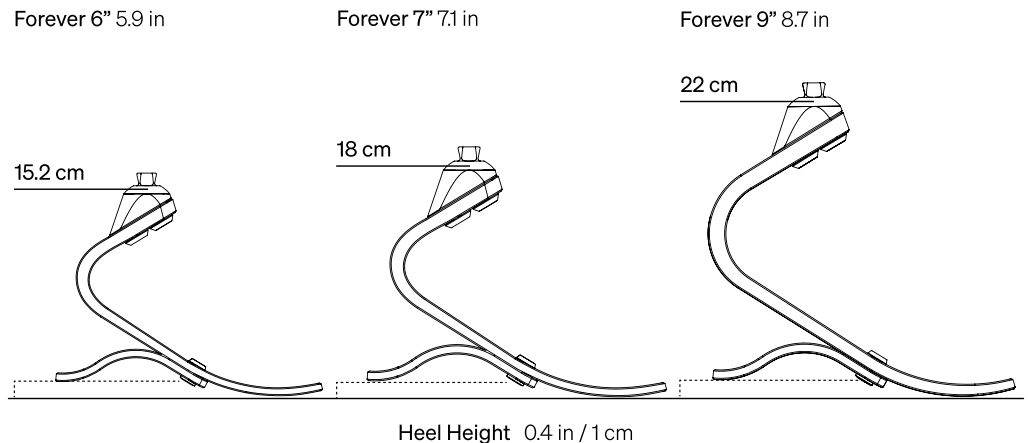
The **Levitate Forever** is a PDAC-approved prosthetic foot crafted for a daily and active lifestyle. Constructed from our unique EVERSA™ fiber composite, it excels in daily activities and sports. Combining durability and comfort, this high-performance prosthetic ensures users can maintain an active life on their own terms. Experience the freedom of movement with the Levitate Forever.

- **Adapter:** Made of titanium.
- **High active spring:** Made of our unique EVERSA™ fiber composite the curved spring facilitates comfortable shock absorption and high energy return.
- **Discrete design:** Can be worn unnoticed with slim pants for the formal occasions.
- **Comfortable and active heel:** Constructed from EVERSA™, the heel provides shock absorption for prolonged daily use.
- **Smooth and dynamic roll over:** The active spring, in conjunction with the heel, facilitates a dynamic yet smooth transition during movement. This combination allows for a controlled transition throughout the gait cycle, ensuring a natural and efficient walking experience.

build structure



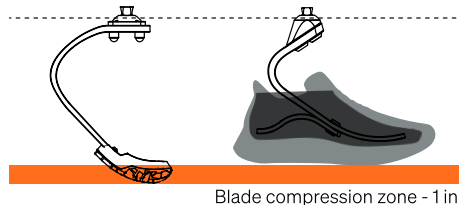
build heights



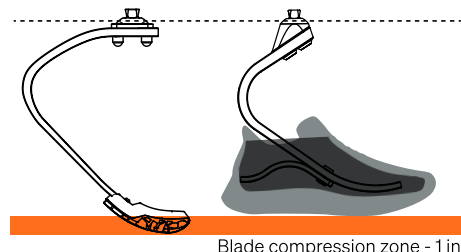


compatibility

Blade 8" and Forever 7"



Blade 10" and Forever 9"



The Blade and Forever foot are designed to be interchangeable for easy swapping. Please note that the Blade build height is approximately 1 inch taller than the Forever foot when the user is wearing a shoe, as the Blade compresses more under greater load.

user & product info

Max body weight	Weight	Sizes
150 kg	615* g	23 - 29 cm

*Specifications refer to Forever 7" size 26 weight range 65-80 kg

category selection

Applies to Activities of Daily Living (Community Ambulator)

Forever 6", 7" and 9"

Body Weight		Sizes		
Weight in kg	Weight in lbs	23 - 24	25 - 26	27 - 29
35 - 50	77 - 110	Category 0,5	Category 0,5	N/A
50 - 65	110 - 143	Category 1	Category 1	Category 1
65 - 80	143 - 176	Category 1,5	Category 1,5	Category 1,5
80 - 95	176 - 210	Category 2	Category 2	Category 2
95 - 110	210 - 242	Category 2,5	Category 2,5	Category 2,5
110 - 125	242 - 275	N/A	Category 3,0	Category 3,0
125 - 150	275 - 330	N/A	Category 3,5	Category 3,5

Applies for Sport Activities (Active Ambulator)

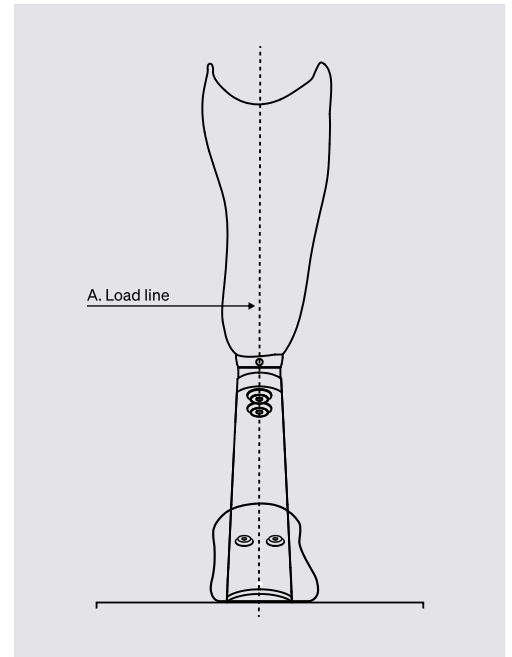
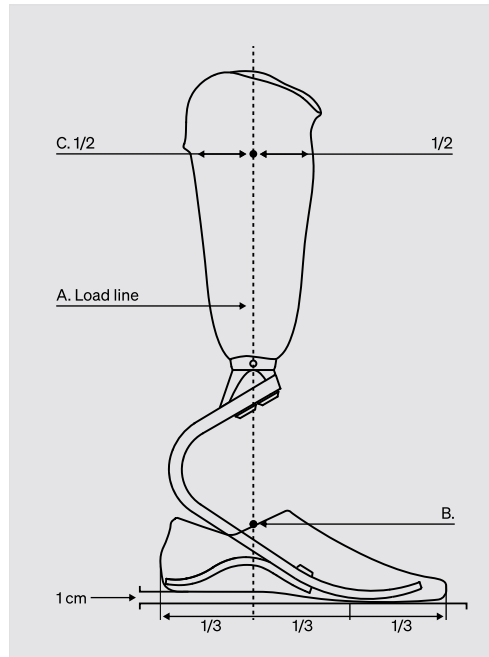
Forever 6", 7" and 9"

Body Weight		Sizes		
Weight in kg	Weight in lbs	23 - 24	25 - 26	27 - 29
35 - 50	77 - 110	Category 1	Category 1	N/A
50 - 65	110 - 143	Category 1,5	Category 1,5	Category 1,5
65 - 80	143 - 176	Category 2	Category 2	Category 2
80 - 95	176 - 210	Category 2,5	Category 2,5	Category 2,5
95 - 110	210 - 242	N/A	Category 3,0	Category 3,0
110 - 125	242 - 275	N/A	Category 3,5	Category 3,5
125 - 150	275 - 330	N/A	N/A	N/A

bench alignment

Sagittal plane alignment

Frontal plane alignment



attributes & guidelines

Assemble the prosthetic leg to the socket with the necessary adapters to match the required build height.

Sagittal alignment:

- Align the prosthetic such that the load line (A) passes through the inner third of the foot cover (B) and the midpoint of the socket (C) at the patellar tendon level for TT/BKA or the ischial tuberosity level for TF/KA.
- Consider socket flexion/extension.
- Consider shoe heel height.

Frontal alignment:

- Consider socket abduction/adduction.

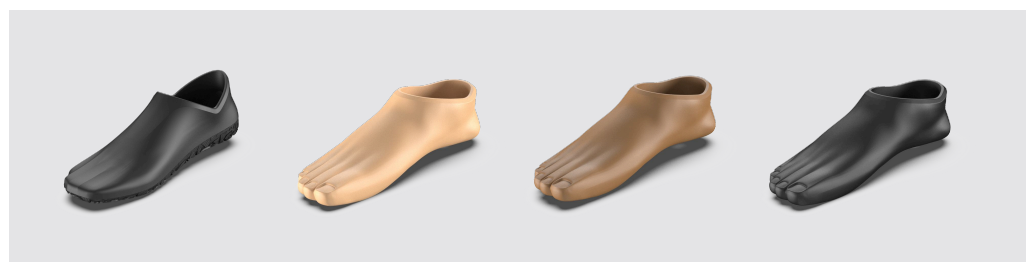
* When using a prosthetic knee, align it following the manufacturer instructions.

Perform a static and dynamic alignment in collaboration with the patient and adjust the prosthetic accordingly to ensure a smooth rollover and a natural gait cycle.

footshells

Traction Footshell

Human Footshell - Beige - Brown - Black





Forever 6", 7" & 9"

product images



technology

EVERSA™ is Levitate's custom-developed fiber composite technology. A material platform engineered to deliver stability, high but controlled energy response, quiet comfort, and long-term durability—with composure on real-world terrain.

key features



Stability

Designed for smooth, secure ground contact from first touch through full stance. Multi-axial guidance helps maintain control and balance on uneven surfaces, turns, and weight shifts.



Waterproof

Designed for use in wet environments, including everyday water exposure and submersion. It maintains reliable performance in moisture, humidity, and salt water.



Comfort

EVERSA™ is engineered to reduce harshness at impact through immediate, progressive compliance at contact. A controlled load path helps deliver smooth force transfer and a stable, consistent feel throughout the day.



Durability

EVERSA™ is engineered to flex under repeated compression with a high safety margin for daily loading. Durability has been validated to 2 million load cycles under relevant ISO testing for long-term performance.



All Terrain

Built to stay controlled and predictable across varied surfaces, including gravel, curbs, cobblestones, and uneven ground. Its gradual deformation helps keep more of the sole engaged for confident movement across changing terrain.



Energy Return

Designed for strong energy storage with a controlled, natural release that makes each step feel smooth rather than abrupt. The result is clean rollover and a consistent step-to-step response that supports intuitive movement.

Traction footshell

overview

Engineered for performance and everyday reliability, the Traction footshell is the latest innovation for the Levitate Forever. Featuring a streamlined, technical design, it offers enhanced grip, long-lasting durability, and waterproof protection—delivering dependable function in a wide range of daily environments.

product images



key features

- **Exceptional grip:** Designed to be worn inside a shoe, Traction provides secure grip and responsive support during high-activity use. Not to be used as a shoe.
- **Technical Aesthetic:** Made in a bold black finish and minimal design, Traction breaks away from the traditional look of footshells.
- **Waterproof Design:** Built for wet environments, Traction features a fully waterproof design that maintains comfort and performance in and around water. Integrated drain holes let water flow through easily—ideal for barefoot use at home, by the pool, on the terrace, or at the beach.

Levitare  Freedom to Play



L5981