



blade series
product catalog





Levitate Running Blade: Empowering Carson to Run, Play, and Dream again

levitate blade series

We first met Carson in Dallas in 2024 when he was 7 years old. His enthusiasm and curiosity were truly inspiring, a moment we won't forget. Despite the challenges he faced, Carson's spirit and determination shone through. Today, Carson is running, playing baseball, and enjoying sports again with a newfound confidence.

The Levitate Blade makes running accessible to everyone, not just elite athletes. Its shorter build height and optimized toe length provide better balance, control, and comfort, making it ideal for both beginners and experienced runners. Crafted from our high-performance fiberglass composite, the blade offers smooth, progressive energy return with every stride. Whether jogging, sprinting, or actively playing on the field, Carson benefits from a controlled and powerful push-off.

Designed for real-world use, the blade features a flat-top design for easy alignment and a replaceable sole system that provides grip and durability across different terrains.

With the Levitate Running Blade, Carson has given him the freedom to embrace every adventure, showing just how powerful the right equipment can be in helping people rediscover their passions.



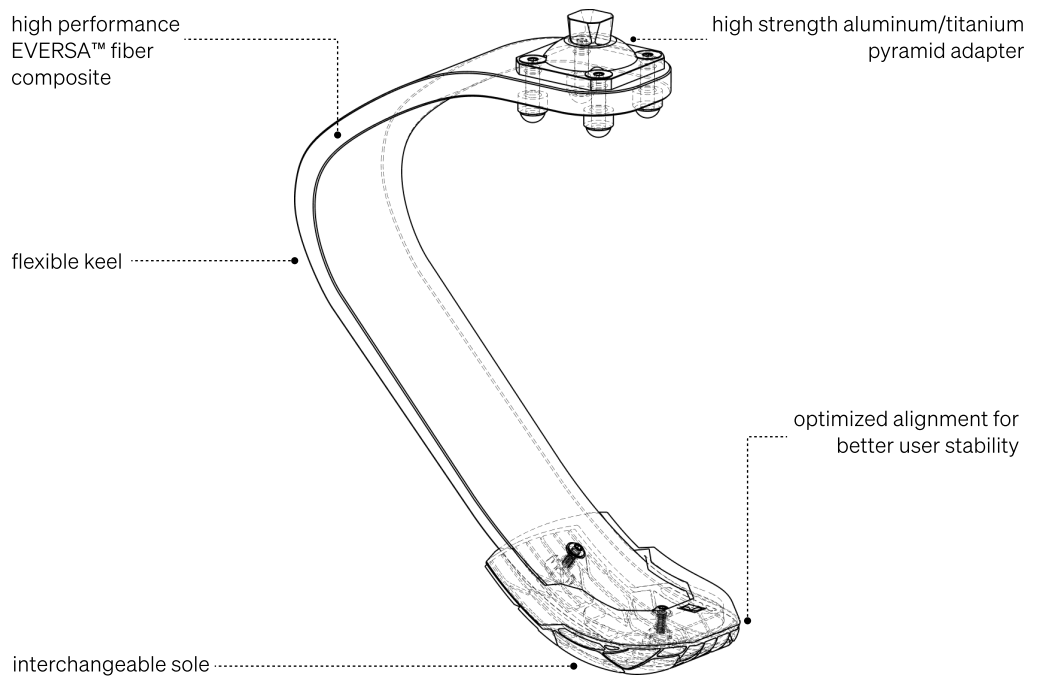
Introducing the Levitate Blade Series: A running blade designed for everyone, not just elite athletes

overview

The **Levitate Blade** is designed for both casual and competitive runners, constructed from our unique EVERSA™ fiber composite, for a balance of flexibility and durability. It is suitable for a variety of activities, enhancing mobility for amputees. This blade is part of Levitate's broader product range and is compatible with the Levitate Forever foot and the Levitate Quick-Change adapter for easy transitions between different prosthetic set-ups. The products focus on empowering amputees to maintain an active lifestyle with high-performance prosthetics.

- **Adapter:** The standard 4-hole system allows for multiple adapter solutions.
- **Comfortable High Active Spring:** Made of our unique EVERSA™ fiber composite, the curved spring facilitates comfortable shock absorption and high energy return. Levitate's running blade ensures a smooth stride for all kinds of users.
- **Interchangeable Soles:** Extremely resilient soles designed for multiple purposes and terrains.
- **Product compatibility:** The Levitate Blade and Forever Series, compatible in height and combined with the Levitate Quick-Change adapter, enable safe and rapid foot swaps in just a few seconds.

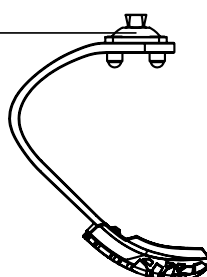
build structure



build heights

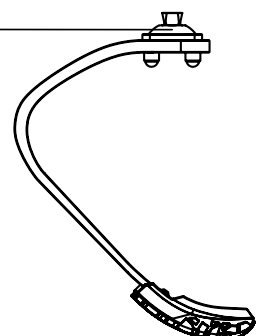
Blade 8" 8.3 in

21 cm



Blade 10" 10.6 in

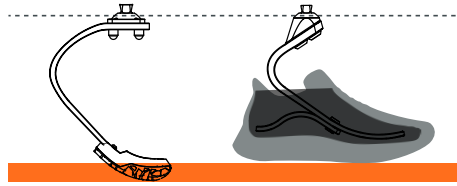
27 cm



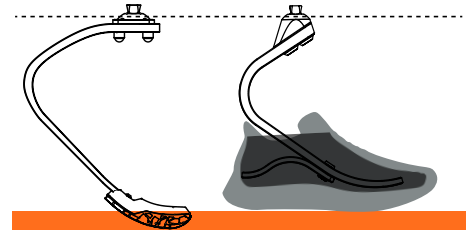


compatibility

Blade 8" and Forever 7"



Blade 10" and Forever 9"



Blade compression zone - 1 in.

The Blade and Forever foot are designed to be interchangeable for easy swapping. Please note that the Blade build height is approximately 1 inch taller than the Forever foot, as the Blade compresses more under greater load.

user & product info

Max body weight	Weight	Build height
130 kg	700 g*	21 cm / 27 cm

*Refer to Blade 10" weight range 60-70 kg, with essential sole

size & category chart

Blade 8"

Body weight		Activity level	
Kg	Lbs	Low	High
10 - 30	22 - 66	Category 1	Category 2
30 - 45	66 - 99	Category 2	Category 3
45 - 60	99 - 132	Category 3	Category 4
60 - 75	132 - 165	Category 4	Category 5
75 - 90	165 - 198	Category 5	Category 6
90 - 105	198 - 230	Category 6	Category 7

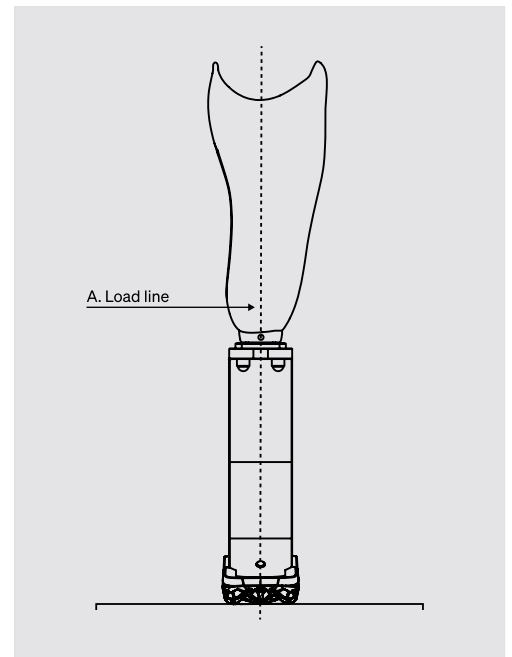
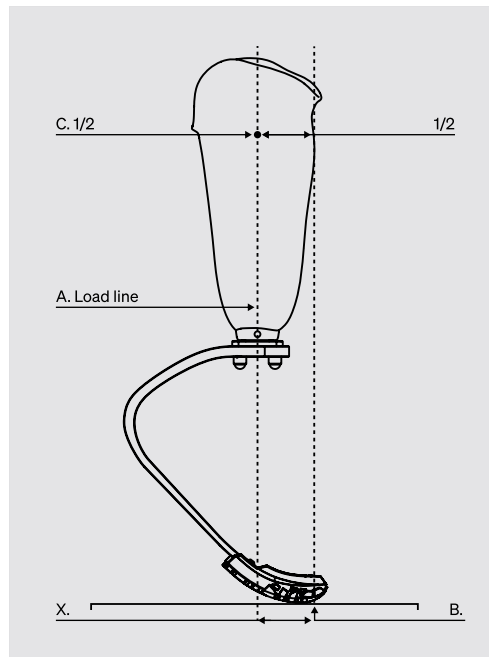
Blade 10"

Body weight		Activity level	
Kg	Lbs	Low	High
30 - 40	66 - 88	Category 2	Category 2
40 - 50	88 - 110	Category 2	Category 2.5
50 - 60	110 - 132	Category 2.5	Category 3
60 - 70	132 - 154	Category 3	Category 3.5
70 - 80	154 - 176	Category 3.5	Category 4
80 - 90	176 - 198	Category 4	Category 4.5
90 - 100	198 - 220	Category 4.5	Category 5
100 - 110	220 - 242	Category 5	Category 5.5
110 - 130	242 - 286	Category 5.5	Category 6

bench alignment

Sagittal plane alignment

Frontal plane alignment



attributes & guidelines

Assemble the prosthetic leg to the socket with the necessary adapters to match the required build height. Consider a 10 - 50 mm compression of the running blade - depending on users activity level.

Sagittal alignment:

- Align the prosthetic such that the load line (A) passes through ground contact point (B) and the midpoint of the socket (C) at the patellar tendon level for TT/BKA or the ischial tuberosity level for TF/AKA.
- Consider socket flexion/extension.

* The contact point (B) is dependent on the distance (X) which varies from 80 mm for beginners to 30 mm for experienced users

Frontal alignment:

- Consider external rotation of the foot.
- Consider socket abduction/adduction.

* When using a prosthetic knee, align it following the according to the knee manufacturers instructions.

running sole

Essential Sole





Blade 8" & 10"

product images



technology

EVERSA™ is Levitata's custom-developed fiber composite technology. A material platform engineered to deliver stability, high but controlled energy response, quiet comfort, and long-term durability—with composure on real-world terrain.

key features



Stability

Designed for smooth, secure ground contact from first touch through full stance. Multi-axial guidance helps maintain control and balance on uneven surfaces, turns, and weight shifts.



Waterproof

Designed for use in wet environments, including everyday water exposure and submersion. It maintains reliable performance in moisture, humidity, and salt water.



Comfort

EVERSA is engineered to reduce harshness at impact through immediate, progressive compliance at contact. A controlled load path helps deliver smooth force transfer and a stable, consistent feel throughout the day.



Durability

EVERSA is engineered to flex under repeated compression with a high safety margin for daily loading. Durability has been validated to 2 million load cycles under relevant ISO testing for long-term performance.



All Terrain

Built to stay controlled and predictable across varied surfaces, including gravel, curbs, cobblestones, and uneven ground. Its gradual deformation helps keep more of the sole engaged for confident movement across changing terrain.



Energy Return

Designed for strong energy storage with a controlled, natural release that makes each step feel smooth rather than abrupt. The result is clean rollover and a consistent step-to-step response that supports intuitive movement.



Blade 10"

product images



Levitare  Freedom to Play

