



SOCKET ADAPTER 4I63

SOCKET ADAPTER

SOCKET ADAPTER

stainless steel

Stainless steel socket adapter with 4 short arms. They are used exclusively for the manufacturing of lower extremity prostheses.

Made of high resistance stainless steel and indicated for patients with a maximum weight of 100 kg.

Fixed 4 short arm pyramid receiver adapter used with modular leg prostheses. These combinations provide angle and translation modifications in the sagittal and anterior plane, as well as regulation of internal and external rotation.



ACTIVITY LEVEL



PATIENT WEIGHT LIMIT



IMPACT LEVEL 1-4

RESISTANCE

100 KG

SKU 4I63

UNIT WEIGHT

88 GR

CAUTION! ⚠️

Do not expose the prosthetic components to environments that favor the corrosion of metal, as well as the degradation of the elements that make up the adapter. If it is exposed to any of these environments and the adapter has traces of elements that favors its deterioration, the warranty offered by O and P will be lost.

WARRANTY

The 4I63 adapter warranty only applies if it is used under the conditions described in this sheet. This product is insured for 1 year using exclusively O and P modular products.

SOCKET ADAPTER FIXATION SYSTEM

Fixed 4 short arm pyramid receiver adapter with a height of 5 cm.









The union with the opposite piece ¹ in the modular system is through the M8 x 14 mm oppressors.

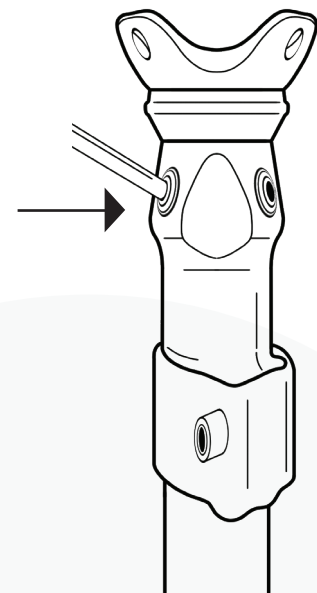
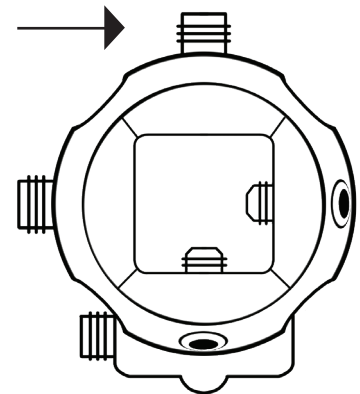
Corrections can be made at any time during alignment, try-in and after completion of the prosthesis. To exchange any part, disassemble it. To keep the previous alignment, unscrew only the two adjoining oppressors.

For the definitive use, secure it with a torque wrench set to 15 NM. The application of Loctite 242 threadlocker is necessary.

CAUTION!

Do not clamp the adapter in the workbench screw, as this action can cause deformations or damage.

ACTIVITY LEVEL	   
PATIENT WEIGHT LIMIT	   
IMPACT LEVEL 1-4	RESISTANCE 100 KG
SKU 4I63	UNIT WEIGHT 88 GR



1