

Rebound® Post-Op Knee Brace – Technical Presentation

Lauren Gavrailoff - PMM

January 2018

Overview

- Indications
- Key Messaging
- Customer & Patient Benefits
- Product Specifications
- Competition



Rebound® Post-Op Knee - Key Message

REBOUND® POST-OP KNEE.
EASY TO FIT. EASY TO USE.

Össur's Rebound® Post-Op Knee brace delivers controlled range of motion for the knee in an intuitive, quick-fitting design. Suitable for the average, tall and super small, the Rebound Post-Op knee provides a secure, comfortable fit to users.

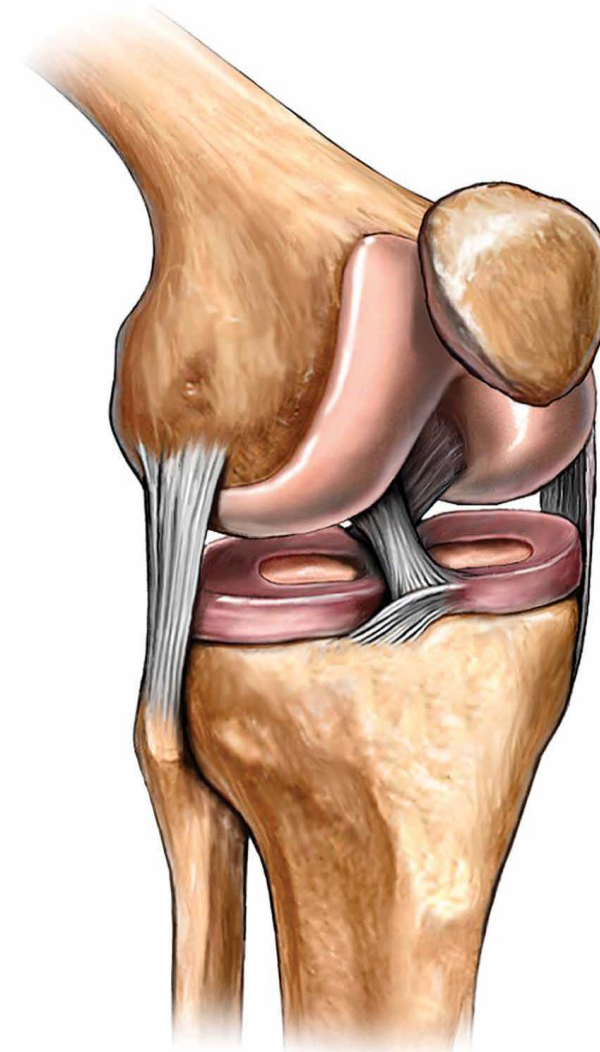


Rebound Post-Op Knee is designed with two priorities in mind: ease of fitting for practitioners and ease of use for patients.

Indications

The Rebound® Post-Op Knee brace is designed to limit knee flexion and extension and may be beneficial in the following situations:

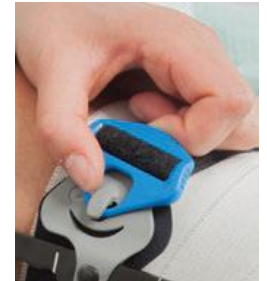
- ACL, PCL, MCL, LCL repairs/injuries
- Meniscal repairs
- Tibial plateau fractures
- Patellar tendon repairs
- Osteochondral repairs
- Condylar fractures
- Sprains/strains of the knee
- HTOs (High Tibial Osteotomy)



Rebound[®] Post-Op Knee – Features & Benefits

1. Simple and intuitive.

Smart-Fit[™] packaging and a tool-free design make fitting fast and easy, while a numbered frame and color-coded patient touch points simplify patient education and product use. Just tell your patients, “Blue is You[™].”



2. Secure fit & superior suspension

Anti-Migration System (AMS) wrap to help ensure secure suspension while the OneTouch[™] hinge quickly and easily set patient range-of-motion. Then, secure your range-of-motion settings in place with lockout clips to further reduce the risk of patient non-compliance.



3. Comfortable

Up to 30% lighter than the competition, with anatomical paddles and contouring struts that hug the anatomy.

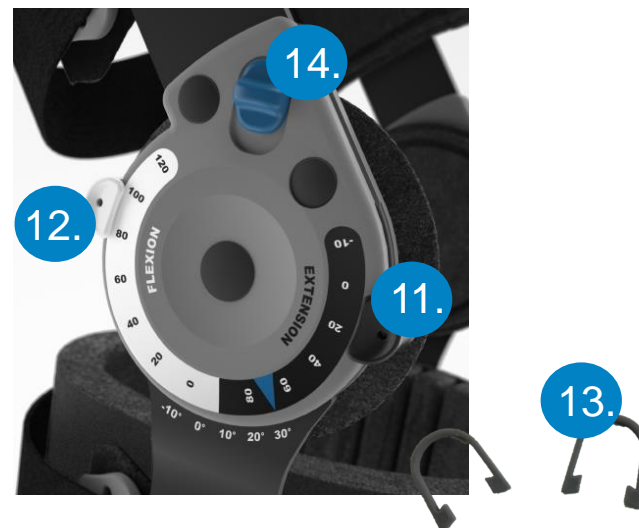


Rebound® Post-Op Knee – Features & Benefits

- 4. **SOMETHING FOR EVERYONE** - With universal and pediatric versions suitable for most users, plus left/right contoured models for when a more anatomical fit is required, you have everything you need to fit any patient you encounter.



Rebound® Post-Op Knee - List of Parts



LIST OF PARTS

1. SMART-FIT™ Packaging
2. Anti-migration System Wrap
3. Quick-fit Buckle
4. Upper Telescoping Frame
5. OneTouch™ button
6. Lower Telescoping Frame
7. Contoured struts
8. Hook closures buckles
9. Alligator strap tabs
10. OneTouch™ Hinge
11. Extensie Control Pull Tab
12. Flexion Control Pull Tab
13. ROM Stop Locks
14. Drop Lock

Rebound[®] Post-Op Knee – Product Highlights



Large Hook Closure Buckles featuring grip-friendly ridges for simple brace application and removal

Telescoping Frame features easy-to-engage **OneTouch™** button with secure locking feature

Color-coded Drop Lock and Buckles for easy patient education and product use – **Blue is You™**

Numbered Frame for patient ease-of-use

Quick-fit buckle with a lever arm helps ensure optimal strap tension and brace suspension

Lock-out ROM Pull Tabs offer -10° to 120° of ROM control, with **OneTouch™ Drop-lock** from -10° to 30°

Moldable, anatomically contoured struts help ensure a precise fit

Anti-Migration System Wrap for secure suspension

Alligator Strap Tabs enable easy strap trimming



Buckles: Angled & grip ridges and larger slots for ease in tightening straps

Alligator Velcro strap tabs for ease of trimming

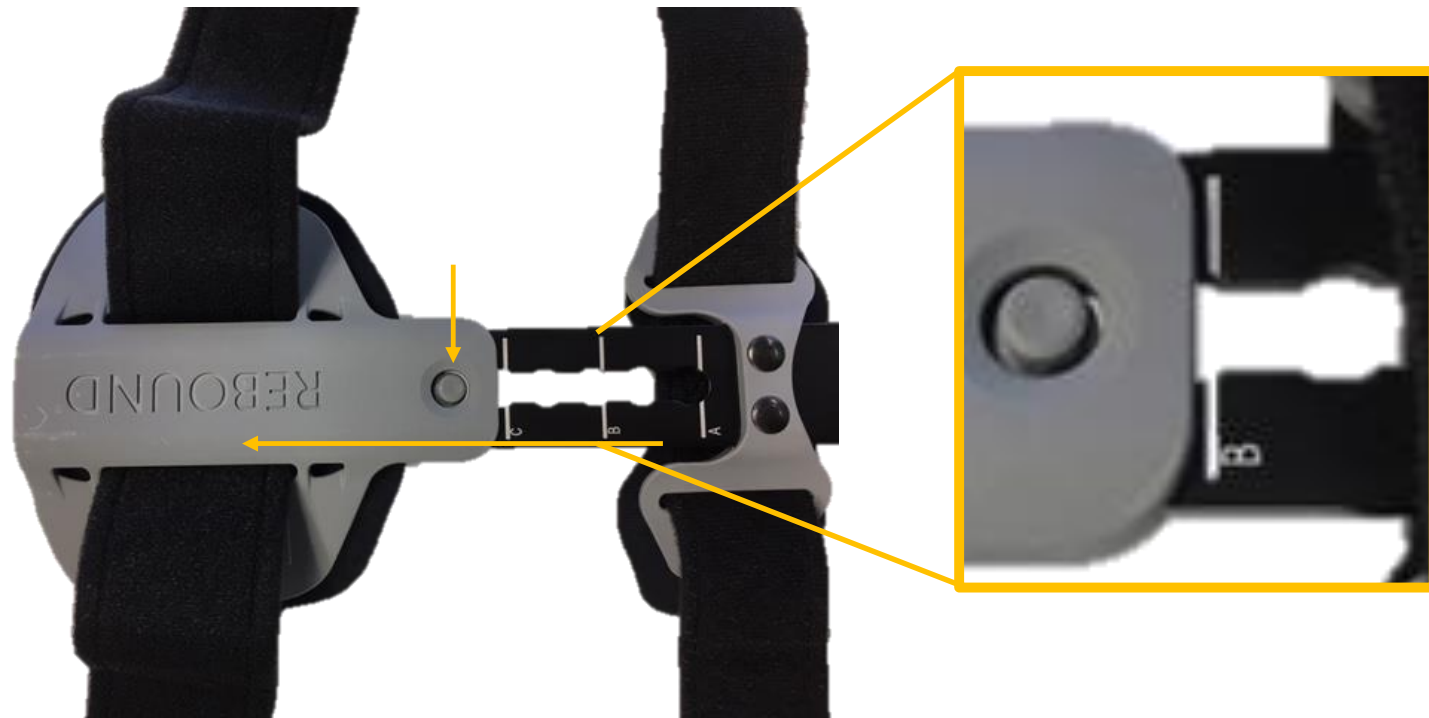
INTUITIVE DESIGN: PATIENT TOUCH POINTS

- Blue color-coded buckles and drop lock
- Simple patient education

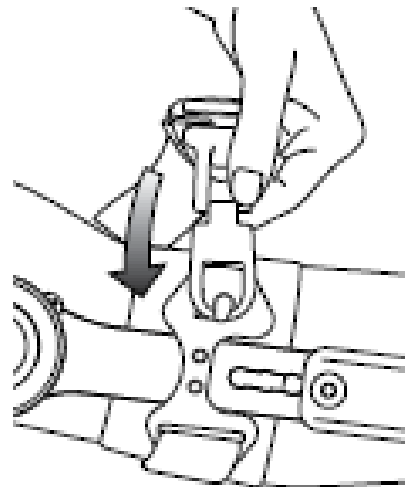
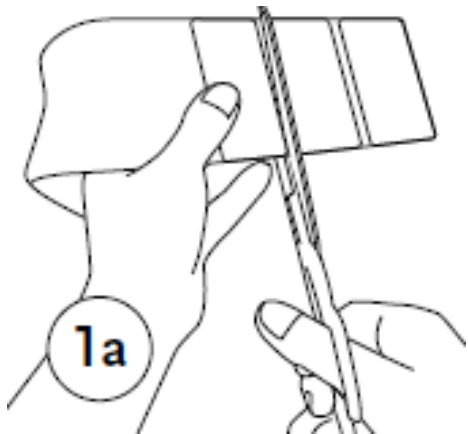




SECURE FIT: TELESCOPING FRAME



- AMS: Anti-Migration System
- 10mm thick foam padding AMS
- Quick-fit buckle
- Cut to size along groove if necessary



Comfortable & Secure Fit: ROM Adjustable hinge

- Flexion, Extension, Drop lock
- ROM Stop Locks



Color-coded drop lock

Lock-out pull tab for flexion & extension adjustments

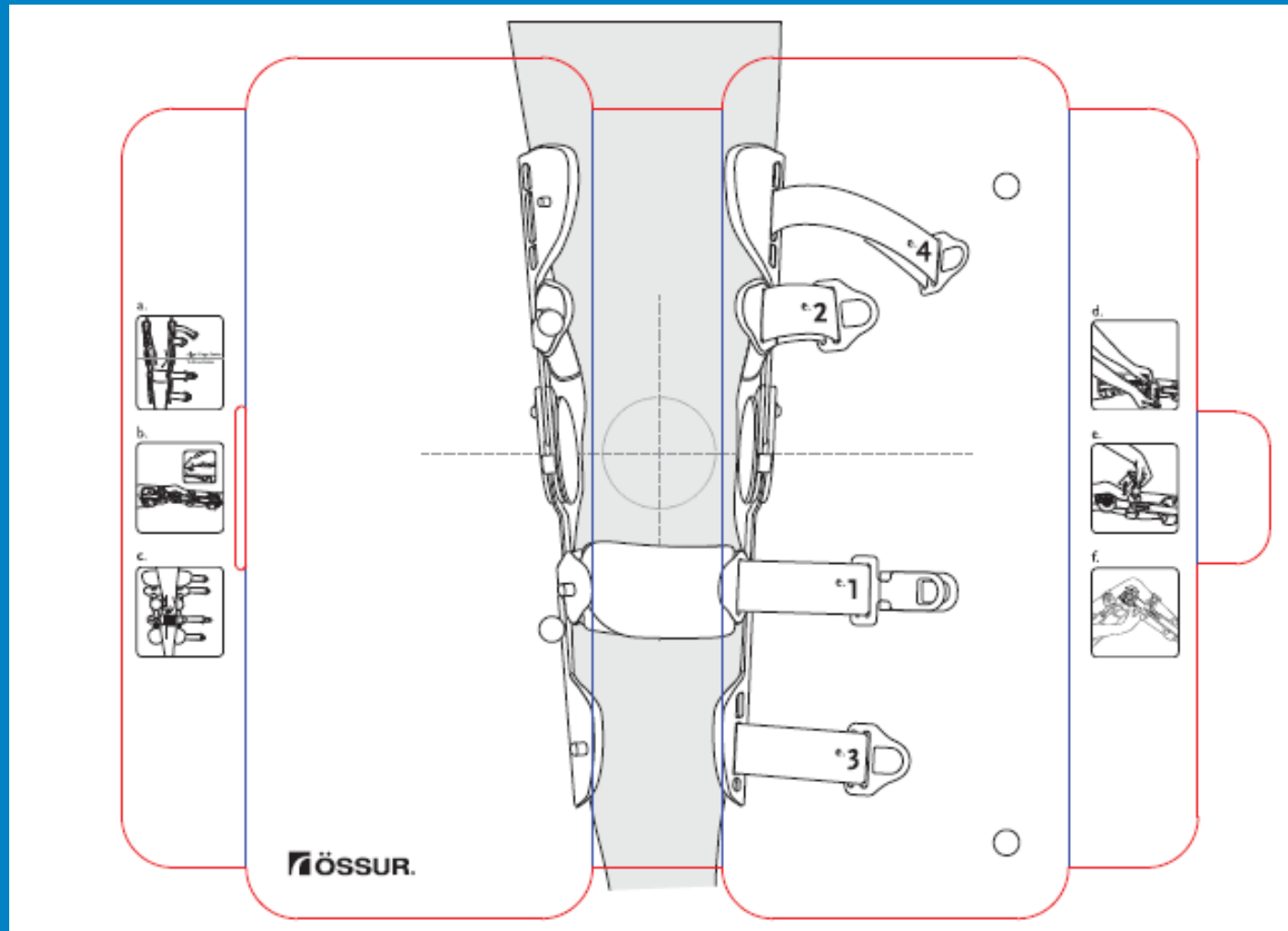


Limit adjustments by patients

NOTE: When setting the flexion/extension the increments can not be set up equally when using the stop locks. Additionally they can not be used when at 0 or 120 degrees

Extension Control	-10° to 90° (10° increments)
Flexion Control	0° to 120° (10° increments)
Drop Lock	-10°, 0°, 10°, 20°, 30°

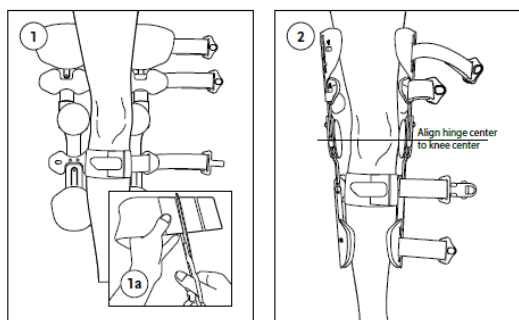
Helpful Packaging: Smart-Fit Tray



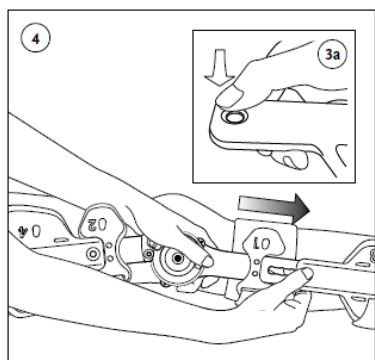
Helpful Packaging: Carry-home bag



Fitting Instructions (Cool)

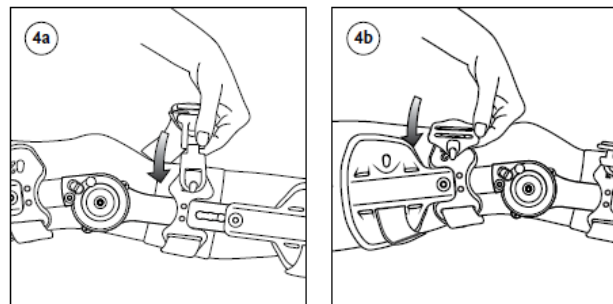


1. Apply anti-migration strap (Figure 1). Cut to size along groove if necessary (Figure 1a).
2. Position brace paddles on leg by aligning hinge center to knee center (Figure 2).

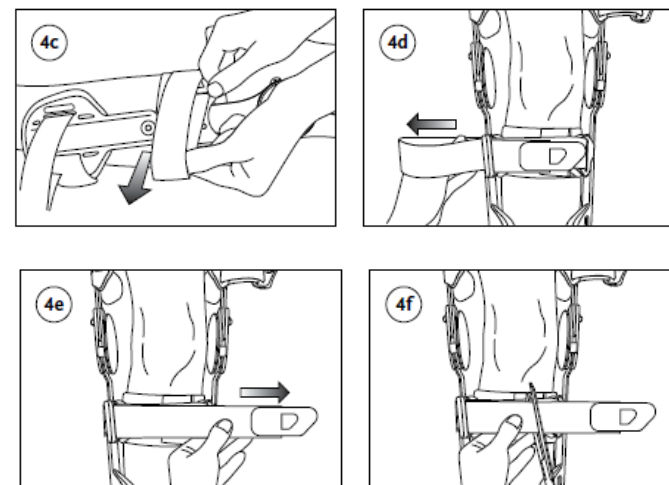


3. To adjust length of hinge arms: (Figure 3).
 - Push down on length adjustment button to unlock paddle (Figure 3a).
 - Slide paddle to desired length.
 - Repeat adjustment for all paddles. Ensure all length adjustment buttons are in locked position.

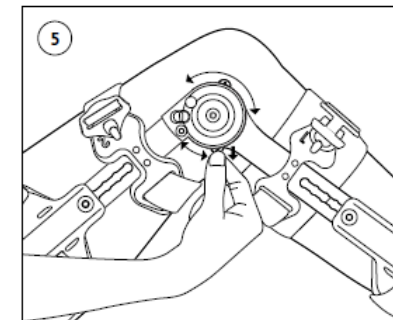
Important: Practitioner should adjust the brace length to provide optimal knee stabilization. Upper hinge arms should extend no higher than 5 cm from groin level. Lower hinge arms should extend no lower than calf/Achilles tendon junction.



4. Fastening Straps (Figure 4):
 - Secure buckles (Figure 4a, 4b)



- Tighten strap (Figure 4c to 4e)
- Straps may be trimmed if necessary (Figure 4f to 4g)



5. To adjust range-of-motion, pull the flexion or extension button and move to desired angle printed on hinge and release (Figure 5).
6. Place ROM stop locks over flexion and extension stops to limit range of motion adjustment.

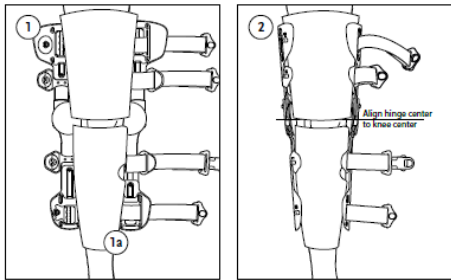
DROP-LOCK INSTRUCTIONS

- Determine the desired lock angle
- Slide drop-lock button toward center of hinge to lock the hinge angle

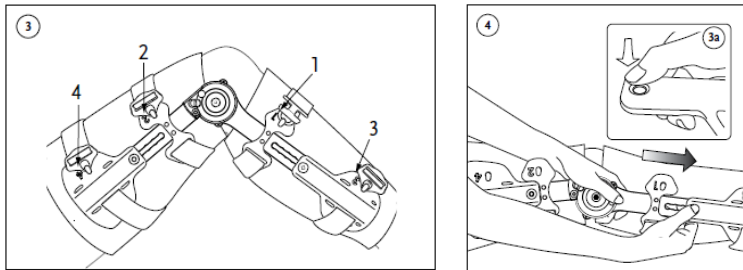
WASHING INSTRUCTIONS

- Do not wash in washing machine or place in dryer
- Use mild detergent and cold water (30°C/86°F)
- Remove pads and wash separately
- Do not immerse hinge & uprights in water
- Do not use bleach or strong detergents

Fitting Instructions (Full Foam)

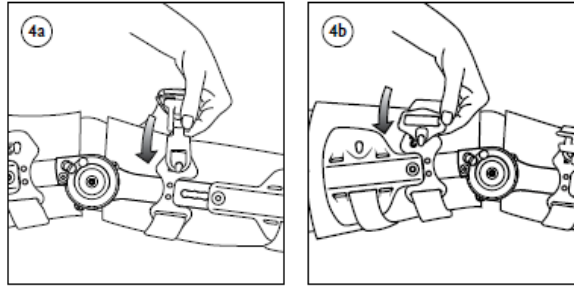


1. Apply full foam liner (Figure 1). Cut to size along top/bottom or side (non-hook side) if necessary.
2. Position brace paddles on leg by aligning hinge center to knee center (Figure 2).

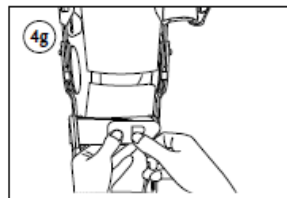
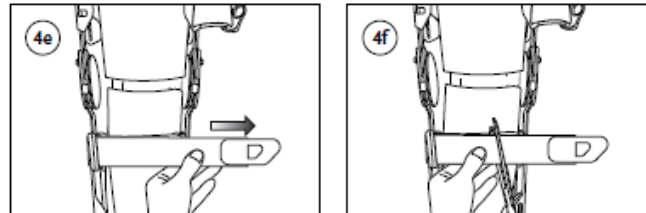
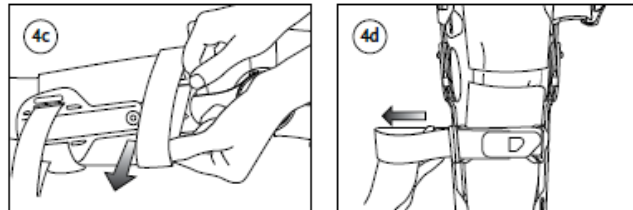


3. To adjust length of hinge arms: (Figure 3).
 - Push down on length adjustment button to unlock paddle (Figure 3a).
 - Slide paddle to desired length.
 - Repeat adjustment for all paddles. Ensure all length adjustment buttons are in locked position.

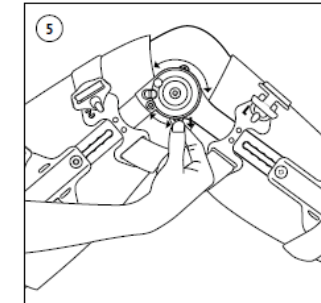
Important: Practitioner should adjust the brace length to provide optimal knee stabilization. Upper hinge arms should extend no higher than 5cm from groin level. Lower hinge arms should extend no lower than calf/Achilles tendon junction.



4. Fastening Straps (Figure 4):
 - Secure buckles (Figure 4a, 4b)



- Tighten strap (Figure 4c to 4e)
- Straps may be trimmed if necessary (Figure 4f to 4g)



5. To adjust range-of-motion, pull the flexion or extension button and move to desired angle printed on hinge and release (Figure 5).
6. Place ROM stop locks over flexion and extension stops to limit range of motion adjustment.

DROP-LOCK INSTRUCTIONS

- Determine the desired lock angle
- Slide drop-lock button toward center of hinge to lock the hinge angle

WASHING INSTRUCTIONS

- Do not wash in washing machine or place in dryer
- Use mild detergent and cold water (30°C/86°F)
- Remove pads and wash separately
- Do not immerse hinge & uprights in water
- Do not use bleach or strong detergents

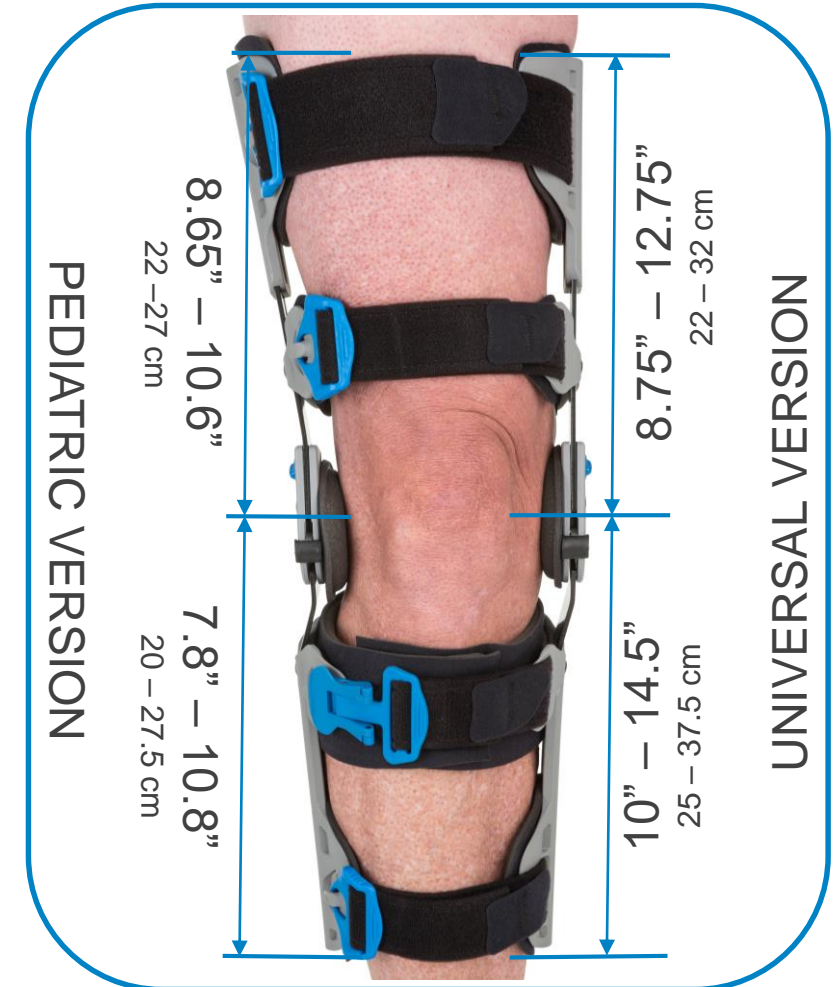
Rebound Post-Op Knee: Product Specifications

Telescoping frame	18.5" – 27" (47-68cm) Pediatric: 15" – 21" (38-53cm)
Size	Universal, Contoured (L & R) XL Pediatric
Padding	Cool, Full foam
ROM Control	-10° to 120°
Drop Lock	-10°, 0°, 10°, 20°, 30°
Weight: Cool	1.7 lbs (775g)*
Weight: Full	1.9 lbs (880g)
Weight: Pediatric	1.5 lbs (680g)
Strengths	Quick-fitting, intuitive, light-weight Suspension



Rebound® Post-Op Knee - Tech Specifications

Type of product:	Post-Operative Knee Brace
Versions:	Universal, Universal XL Universal Contoured (L or R) Pediatric
Telescoping frame:	18.5" – 27" / 47 – 68 cm
Padding:	15" – 21,5" / 39,5 – 54 cm (<i>Pediatric</i>)
ROM Control:	Cool or Full foam
Drop Lock:	-10° to 120°
Weight:	-10°, 0°, 10°, 20°, 30° 1.7 lbs / 775 gr (<i>Cool foam</i>) 1.9 lbs / 880 gr (<i>Full foam</i>) 1.5 lbs / 680 gr (<i>Pediatric</i>)
Sizing:	12" – 25" / 30.5 – 63.5 cm (<i>Pediatric</i>)
(Thigh Circumference)	16" – 32" / 41 – 81 cm (<i>Universal</i>) 16" – 38" / 41 – 96.5 cm (<i>Universal XL</i>)
Material:	Aluminium bars / Plastic Shells
Moldable / Shapeable:	Use bending irons
Contains latex:	No
Warranty:	Shells & Hinges: 3 Months Foams and straps: 30 Days



Rebound Post-Op Knee: Strap Table

Standard

Part #	Description	Circumference
POK-600136	Upper Thigh Strap (Standard)	Up to 82.5 cm
POK-600132	Mid Thigh Strap (Standard)	Up to 82.5 cm
POK-600133	Mid Calf Strap(Standard)	Up to 62 cm
	Lower Calf Strap(Standard)	Up to 62 cm

XL

Part #	Description	Circumference
POK-600135	Upper Thigh Strap (XL)	Up to 97.5 cm
POK-600132	Mid Calf Strap (XL)	Up to 82.5 cm
	Lower Calf Strap (XL)	Up to 82.5 cm
POK-600131	Mid Thigh Strap (XL)	Up to 97.5 cm

Pediatric

Part #	Description	Circumference
POK-600133	Upper Thigh Strap (Pediatric)	Up to 62 cm
	Mid Thigh Strap (Pediatric)	Up to 62 cm
POK-600134	Mid Calf Strap (Pediatric)	Up to 54.5 cm
	Lower Calf Strap (Pediatric)	Up to 54.5 cm



Rebound® Post-Op Knee - Order Information



REBOUND POST-OP KNEE

DESCRIPTION	THIGHT CIRCUMFERENCE	COOL	FULL FOAM
Pediatric	12"-25" (30,5cm - 63,5cm)	B-8381470	
Universal, Left contoured	16"-32" (41cm - 81cm)	B-8381680	B-8382680
Universal, Right contoured	16"-32" (41cm - 81cm)	B-8381580	B-8382580
Universal	16"-32" (41cm - 81cm)	B-8381480	B-8382480
Universal XL	16"-38" (41cm - 96,5cm)	B-8381490	B-8382490



SOFT GOODS

DESCRIPTION	COOL	FULL FOAM
Pediatric	B-8381072	
Universal	B-8381082	B-8382082
Universal XL	B-8381092	B-8382092

ACCESSORIES

DESCRIPTION	PART. NO.
Rom stop locks (set of 20 lock clips)	B-8380005
Alligator velcro kit	B-8380006
Adhesive velcro kit pediatric	B-8380008
Adhesive velcro kit universal / universal XL	B-8380007
Incision Pad Kit (10 Pack)	B-703180005+

Rebound Post-Op Knee: Product Specifications

Rebound Post-Op Knee



DLX



DLX+



Rehab



Telescoping frame	18.5" – 27" (47-68cm) Pediatric: 15" – 21" (38-53cm)	17"-28" One Touch Lever	18"-27 (46-70cm)	Short/Petite-19"-23.5" Standard-20.5"-25"
Size	Universal, Contoured (L & R), XL, Pediatric	Regular & XLarge	Regular & XLarge	Universal, Contoured L & R, Short, Pediatric (Petite)
Padding	Cool, Full Foam	Cool, Full Foam	Cool, Full Foam	Air Light (Cool), Full Foam
ROM Control	-10° to 120°	-10° to 120°	-10° to 120°	Flexion 0° to -105° Extension 15° to -90°
Drop Lock	-10°, 0°, 10°, 20°, 30°	Yes	Yes	None
Weight: Cool Weight: Full	1.7 lbs (775g)* 1.9 lbs (880g)	2.4 lbs (1088g) 2.6 lbs (1179g)	2.2 lbs (998g) 2.4 lbs (1088g)	
Mass	Up to 300lbs/136kg (Adult) Up to 200lbs/90kg (Pediatric)	Up to 300 lbs	Up to 300lbs	Up to 250lbs

Competitive Analysis



Rebound Post-Op knee

Donjoy X-Act ROM

BREG T-Scope/T-Scope Premier

	Rebound Post-Op knee	Donjoy X-Act ROM	BREG T-Scope/T-Scope Premier
Market Share	GOAL: 40%	40%	34%
List Price	\$125	\$125	Avg. \$119
Telescoping frame	Adult: 18.5" – 27" , Pediatric: 15" – 21"	19"-25"	17" – 27"
Size	Universal, Contoured (L & R), XL, Pediatric	Universal	Universal (Regular, XL)
Padding	Cool, Full foam	Cool Only	Cool, full foam
ROM Control	-10° to 120°	0° to 120°	-10° to 120°
Drop Lock	-10°, 0°, 10°, 20°, 30°	0°, 15°, 30°	-10°, 0°, 10, °20°, 30°
Weight: Cool	1.7 lbs (775g)*	2.2 lbs (1006g)	2.4 lbs (1089g)
Weight: Full	1.9 lbs (880g)		
Weight: Pediatric	1.5 lbs (680g)		
Strengths	Quick-fitting, intuitive, light-weight Suspension	Tele-Fit frame	Quick clip buckles
Weaknesses		23% heavier Suspension Limited telescope length Limited ROM setting	30% heavier Suspension

Comfort Study

Likert Scale: Very Dissatisfied=1, Not Satisfied=2, Neutral=3, Satisfied=4, Very Satisfied=5

POK Survey Results (Mean, SD, Median & Mode)

Rebound Right	Profile / thickness	Weight	Strap Comfort	Liner Comfort	AMS Comfort	Overall comfort	stays in place
Mean	3.87	4.20	3.00	3.20	3.80	3.47	3.80
SD	0.64	0.68	0.93	1.21	0.94	0.99	0.94
Median	4.00	4.00	3.00	3.00	4.00	4.00	4.00
Mode	4.00	4.00	2.00	4.00	3.00	4.00	3.00

Rebound Universal	Profile / thickness	Weight	Strap Comfort	Liner Comfort	AMS Comfort	Overall comfort	stays in place
Mean	3.73	4.27	3.07	3.53	4.00	3.87	3.93
SD	0.70	0.70	0.80	0.83	0.76	0.64	1.03
Median	4.00	4.00	3.00	4.00	4.00	4.00	4.00
Mode	4.00	4.00	3.00	4.00	4.00	4.00	4.00

T-Scope	Profile / thickness	Weight	Strap Comfort	Liner Comfort	AMS Comfort	Overall comfort	stays in place
Mean	3.53	3.67	3.13	3.67	NA	3.60	3.73
SD	0.99	0.98	0.99	0.90	NA	0.99	0.96
Median	3.00	4.00	3.00	4.00	NA	4.00	4.00
Mode	3.00	4.00	2.00	4.00	NA	4.00	4.00

The trial was conducted over a two week period. Fifteen healthy subjects were consented, enrolled and all of them completed the required testing activities. Study participation was open to volunteers regardless of gender, as it turned out 1/3 were female and 2/3 male.

The primary objective of the trial was to compare the users' perception of brace comfort via a questionnaire after wearing a prototype brace and a competitor's brace during activities normally included during postoperative knee rehabilitation.

This table includes the survey results in terms of means (SD), medians and modes. All aspects of the Rebound Post-Op Knee braces received neutral (3) or greater with regards to mean and median outcomes.

A mode of 3 (neutral) occurred twice for the Rebound right leg brace (AMS comfort and ability to stay in place on the leg) and once for the Rebound universal brace (strap comfort). The rest of the Rebound brace aspects scored a 4 (satisfied). The competitor's mode was neutral (3) for profile thickness and dissatisfied (2) for strap comfort, with the remaining aspects viewed as satisfactory (4).

Rebound® Post-Op Knee - Treatment Pathway

Össur Continuum of Care

Össur offers a breadth of Injury Solutions that follow a recommended continuum of care model.

After knee injury or surgery, protect and treat by restricting range-of-motion with the Rebound® Post-Op Knee, while managing pain with Össur cold therapy solutions.

In some cases, rehab with a Functional Healing solution may be necessary. Finally, return to pre-injury activity with CTi® or Rebound® DUAL. Choose Össur products as rehabilitation progresses to follow the Össur Continuum of Care.



Rebound® Post-Op Knee – Marketing Material

- Patient Fitting Video
- Practitioner Fitting Video
- iSell Rebound POK
- Rebound POK Brochure
 - EMEA Version
 - AMERICAS Version
 - Canada Sell Sheet
- Technical Presentation
- IFU



Rebound® Post-op Knee: Summary

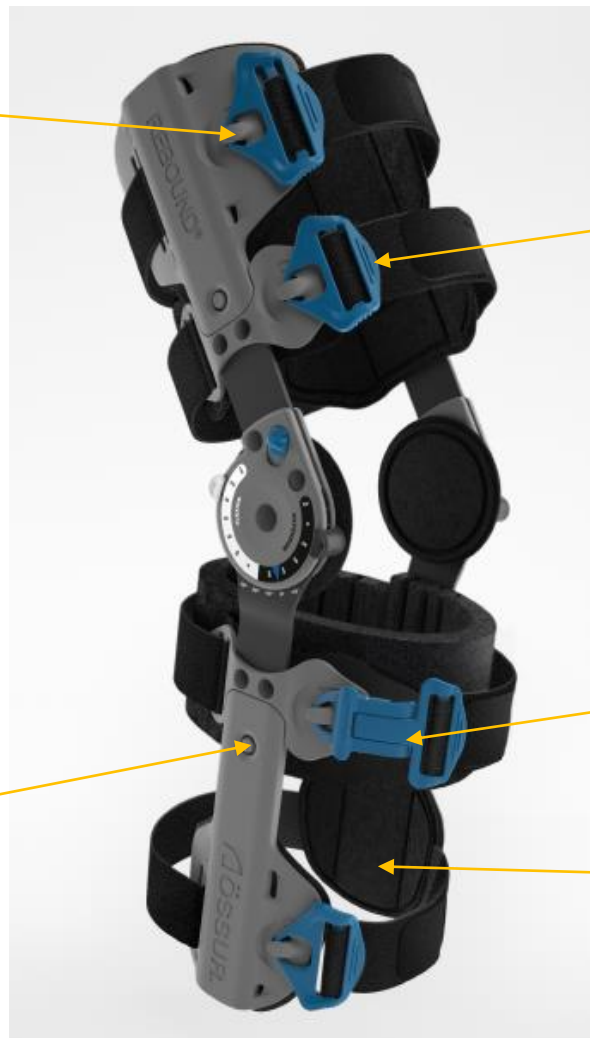


Hooks: Shorter & stronger hooks

Color-coded buckles and drop lock

Lock-out tab option to limit adjustments by patient

Telescoping frame: Easy to depress with secure locking feature



Buckles: Angled & grip ridges and larger slots for ease in tightening straps

Pediatric sizing added

Quick-fit buckle

Foam pads for breathability and anti-migration

WE IMPROVE PEOPLE'S MOBILITY

